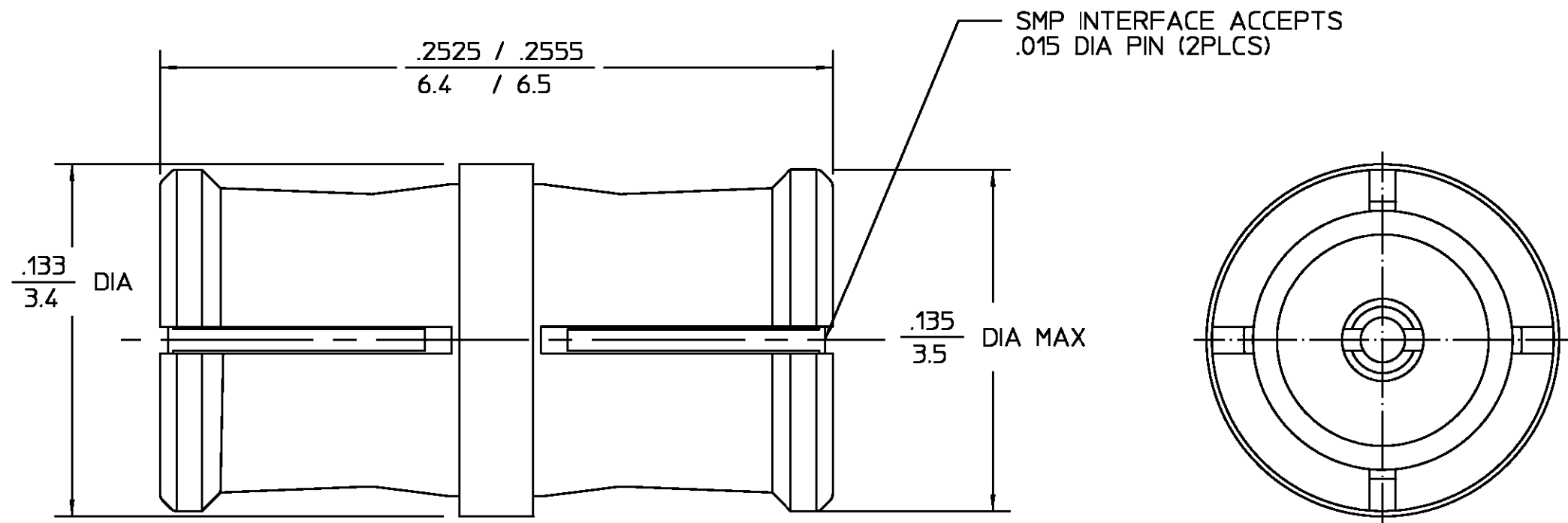


REVISIONS			
REV	DESCRIPTION	DATE	APPROVED
010	RELEASED	6/15/95	<i>RA</i>



NOTE:  
 \* SPECIFICATIONS SHOWN DERIVED FROM TESTING USING THIS ADAPTER AND M/A-COM TEST FIXTURE 2998-5042-02 AS SPECIFIED IN DESC SPEC 94007. VSWR: DC-23GHz:1.10:1 MAX; 23-26.5GHz: 1.15:1 MAX; 26.5-40GHz: 1.7:1 MAX.

DESC DRAWING NUMBER: 94007ZCG-1

ELECTRICAL	MECHANICAL	ENVIRONMENTAL	HOUSING CONTACT	COMPONENT	MATERIAL	FINISH
Nominal Impedance (Ohms) <u>50 ±1</u> Frequency Range (GHz) <u>DC to 40GHz</u> Volt Rating (VRMS MAX) @ Sea Level <u>335</u> *VSWR <u>See Above</u> RF Leakage (2-3GHz) <u>-80dB Min</u> *Insertion Loss <u>.010</u> f GHz dB MIN. Corona, 70,000 Ft (VRMS MIN) <u>190</u> Dielectric Withstanding Voltage (VRMS MIN) @ Sea Level <u>500</u> Contact Resistance (Milliohms MAX) Center Contact (Mated Pair) <u>6.0</u> RF High Potential @ Sea Level (VRMS MIN @ 5 MHz) <u>325</u> I.R. (Megohms MIN) <u>5,000</u>	Force to Engage (Lbs MAX) <u>10.0</u> Disengage (In Lbs MIN) <u>2.0</u> Center Contact Retention (Lbs MIN) <u>1.5</u> Rdial Misalignment: <u>±.020</u> Axial Misalignment: <u>.000/.010</u> Durability: <u>100 cycles</u>	Temperature Rating <u>-65° to +125°C</u> Vibration MIL-STD-202, Method 204, Condition D Thermal Shock MIL-STD-202, Method 107, Condition B Corrosion - MIL-STD-202, Method 101, Condition B Moisture Resistance: MIL-STS-202, Method 106.	BERYLLIUM COPPER PER ASTM-B196, ALLOY C17300, CONDITION H  TFE FLUOROCARBON PER ASTM-D-1457	UNLESS OTHERWISE SPECIFIED DIMENSIONS ARE IN INCHES TOLERANCE ON FRAC. DEC. ANGLES ± 1/64 ±.005 ± °	DRAWN BY <i>RA</i> DATE <u>5/10/94</u> CHECKED BY <i>RA</i> APPD BY <i>RA</i> DATE <u>5/10/94</u>	GOLD PLATE PER MIL-G-45204  N/A
			DIELECTRIC	COMPONENT	MATERIAL	FINISH
				USE ASS'Y PROCEDURE		
				NO. AP. <u>N/A</u>		
					TITLE <u>OSMP JACK TO JACK ADAPTER</u>	
					SIZE <u>B</u> CODE IDENT NO. <u>26805</u> 2980-5004-62 REV <u>01</u>	
					SCALE <u>20 : 1</u> SHEET 1 OF 1	

.XXX = in  
 XX.X = mm

These drawings and specifications are the property of Omni Spectra Incorporated and shall not be reproduced or copied or used in whole or in part as the basis for the manufacture or sale of item(s) without written permission.

AMP Incorporated  
 140 Fourth Avenue  
 Waltham, MA 02451-7599

CUSTOMER DRAWING

AMP PART # 1056703-1  
 SHEET 1 OF 1 REV A